



Optimal Solutions for the Future

PUMA 600/700/800 series

**Doosan's Large
Horizontal Turning
Center with 2-axis
to Y-axis Machining
Capability**

**PUMA 600 series
PUMA 700 series
PUMA 800 series**

ver. EN 160502 SU



Basic Information

Basic Structure
Cutting
Performance

Detailed Information

Options
Applications
Capacity Diagram
Specifications

Customer Support Service



PUMA 600/700/800 series

PUMA 600/700/800 series is a large horizontal turning center ideally designed for machining pipes and flanges used in oil and gas industry, hydraulic parts used in construction equipment, and also complex parts used in aircraft and ship building industry. Its maximum turning diameter and length are $\text{\O}900\text{mm}$ and 5050mm, respectively, which is the highest in its class. The slant bed design allows easy chip disposal.

Contents

02 Product Overview

Basic Information

04 Basic Structure

07 Cutting Performance

Detailed Information

08 Standard / Optional Specifications

10 Applications

12 Capacity Diagram

18 Machine / NC Unit Specifications

22 Customer Support Service



Single setup for machining large complex parts.

- Maximum productivity can be achieved with the 200mm (± 100 mm) orthogonal Y axis structure, which allows users to machine variety of large and complex part.

Boasting the largest machining area and top performance in its class, PUMA 600/700/800 series is perfect for machining large work pieces.

- With 5m maximum turning length, $\varnothing 900$ mm maximum turning diameter, and 11,004N·m of Torque, machine is ideal for heavy-duty cutting of large parts used in different industries.

Machining Solution for wide range of pipes.

- $\varnothing 375$ mm maximum spindle through hole diameter makes it ideal for turning large diameter pipes.
- Wide range of solution to improve threading performance and reduce failure ratio.

Basic Information

- Basic Structure
- Cutting
- Performance

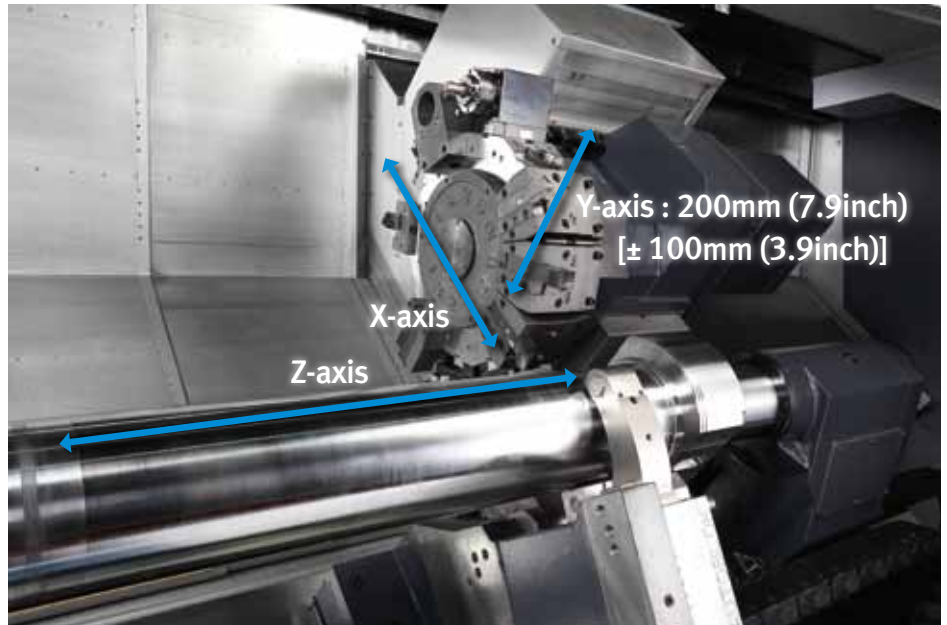
Detailed Information

- Options
- Applications
- Capacity Diagram
- Specifications

Customer Support Service

Basic Structure

Machine capability ranges from 2-axis to Y axis, which allows single setup to maximize productivity of machining large diameter parts.

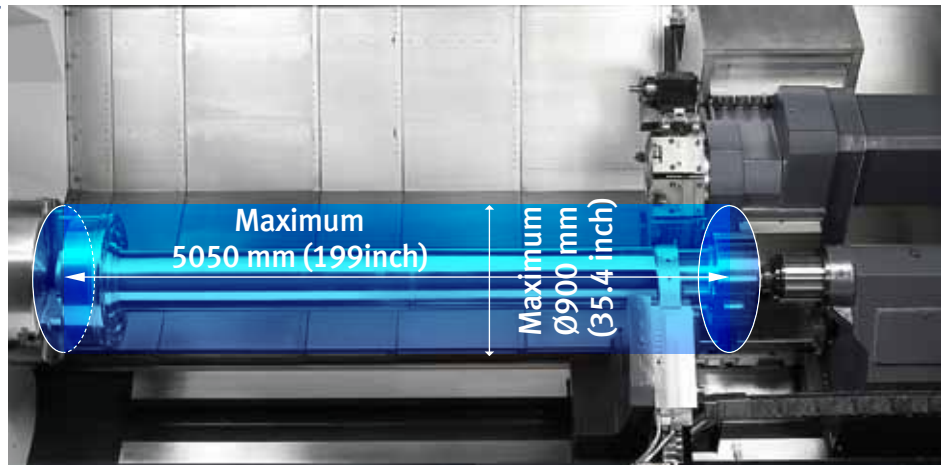


Series	Chuck* Size (inch)	1600 mm (63 inch)			3200 mm (126 inch)			5050 mm (199 inch)		
		2-axis	M	Y	2-axis	M	Y	2-axis	M	Y
PUMA 600	18	0	0	-	0	0	0	0	0	0
PUMA 700	24	0	0	-	0	0	0	0	0	0
PUMA 800	32	0	0	-	0	0	0	0	0	0
PUMA 800B	Order made	0	-	-	0	-	-	-	-	-

*Chuck and chuck cylinder are optional features.

Machining area

The largest work envelop in its class with maximum turning diameter of $\varnothing 900$ mm and maximum turning length of 5 m.



Max. turning diameter

$\varnothing 900$ mm (35.4inch)

Max. turning length

5050mm (199inch)

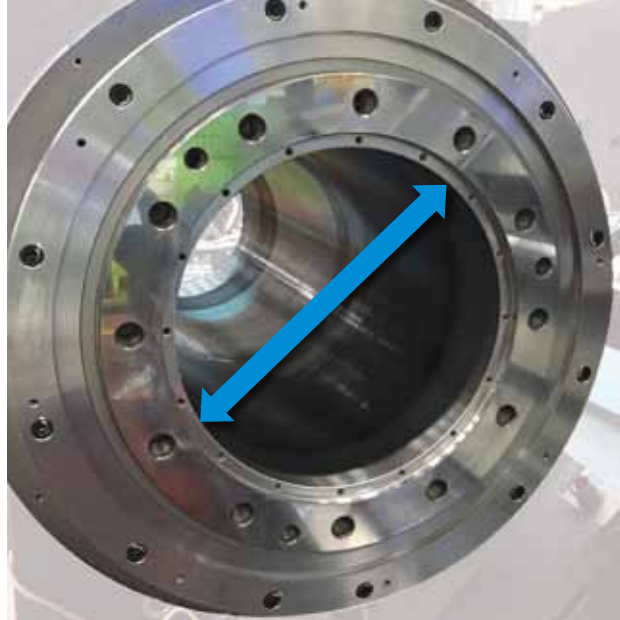
Unit: mm (inch)

	Model	Max. turning diameter	Max. turning length
2-axis	PUMA 600/700/800/800B	900 (35.4)	1600 (63)
	PUMA 600L/700L/800L/800LB		3200 (126)
	PUMA 600XL/700XL/800XL		5050 (199)
M	PUMA 600M/700M/800M	900 (35.4)	1600 (63)
	PUMA 600LM/700LM/800LM		3200 (126)
	PUMA 600XLM/700XLM/800XLM		5050 (199)
Y	PUMA 600LY/700LY/800LY	750 (29.5)	3250 (128)
	PUMA 600XLY/700XLY/800XLY		5050 (199)



Machining area

Machine available in various spindle through hole sizes to provide adequate machining solutions for different size pipes.



Max. spindle through hole diameter

Ø375mm
(14.8 inch)

Unit: mm (inch)

Series	Max. spindle through hole diameter
PUMA 600	152 (6.0)
PUMA 700	181 (7.1)
PUMA 800	320 (12.6)
PUMA 800B	375 (14.8)



Spindle

The gearbox design allows PUMA 600/700/800 spindle to have unparalleled power and torque, which boosts productivity with extreme heavy-duty cutting capability.



Max. spindle speed

750r/min

Max. spindle power (30 min / Cont.)

45/37kW
(60.3/49.6 hp)

75/60kW option
(100.1/80.5 hp)

Max. spindle torque

6605N·m
(4871.6 lbf·ft)

11004N·m option
(8116.1 lbf·ft)

PUMA 800 series

Series	Max. spindle speed	Max. spindle power (30min/Cont.)	Max. spindle torque
PUMA 600	1800 r/min	45/37 kW (60.3/49.6 hp) 75/60 kW (100.1/80.5 hp) <small>option</small>	5419 N·m (3996.8 lbf·ft) 9025 N·m (6656.5 lbf·ft) <small>option</small>
PUMA 700	1500 r/min		6605 N·m (4871.6 lbf·ft) 11004 N·m (8116.1 lbf·ft) <small>option</small>
PUMA 800	750 r/min		
PUMA 800B	500 r/min		

Basic Information

- Basic Structure
- Cutting
- Performance

Detailed Information

- Options
- Applications
- Capacity Diagram
- Specifications

Customer Support Service

Tailstock

Standard programmable tailstock gives you the ability to easily adjust position of the tailstock for different work pieces to minimize setup time.



Tailstock travel

1550mm
(61 inch)

3135mm* (L)
(123 inch)

4885mm (XL)
(192 inch)

Unit: mm (inch)

Model	Quill diameter	Quill travel
PUMA 600/M/L/LM	160 (6.3)	150 (5.9)
PUMA 700/M/L/LM		
PUMA 800/M/L/LM		
PUMA 800B/LB	180 (7.1)	200 (7.9)
PUMA 600LY/XL/XLM/XLY		
PUMA 700LY/XL/XLM/XLY		
PUMA 800LY/XL/XLM/XLY		

* Tailstock travel of PUMA 600/700/800LY is 3085mm(121.5inch).

Turret

Doosan's unique BMT85P design turret is used on M and Y-Axis models to boost heavy-duty cutting performance.



2-axis model

No. of tool stations

12stations



M,Y Model

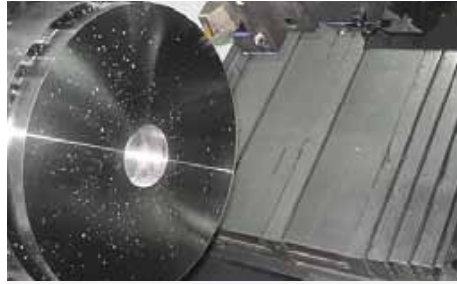
BMT85P

No. of tool stations

12stations

Cutting performance

PUMA 600/700/800 series can perform excellent heavy-duty machining in many different ways such as ID/OD turning, end milling, tapping, and U-drilling, to maximize productivity.



O.D turning (Material diameter Ø 380 mm)

Speed	230 m/min
Feed	0.6 mm/rev
Depth of cut	10 mm
Chip Removal rate	1418 cm ³ /min



Tapping

Cutting Tool	M33 x P3.5
Cutting speed	15 m/min
Feed	3.5 mm/rev



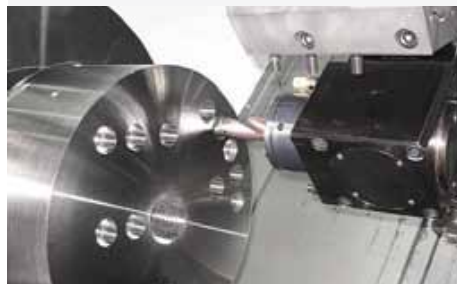
U-Drill (3-axis)

Cutting Tool	Ø 30 mm
Spindle Load	2000 m/min
Feed	0.12 mm/rev
Chip Removal rate	171 cm ³ /min



End mill (Low Speed)

Cutting Tool	Ø 32 mm
Spindle Load	30 m/min
Feed	90 mm/min
Chip Removal rate	105 cm ³ /min



End mill (High Speed)

Cutting Tool	Ø 25 mm
Spindle Load	220 m/min
Feed	1000 mm/min
Chip Removal rate	175 cm ³ /min



Helical End Milling

Cutting Tool	Ø 25 mm
Spindle Load	240 m/min
Feed	800 mm/min
Chip Removal rate	100 cm ³ /min

* The results, indicated in this catalogue are provides as example. They may not be obtained due to differences in cutting conditions and environmental conditions during measurement.



Standard/Optional features

● Standard ○ Option △Contact DOOSAN X N/A

Basic Information

 Basic Structure
Cutting
Performance

Detailed Information

 Options
Applications
Capacity Diagram
Specifications

Customer Support Service

Division		Items		PUMA 600 series		PUMA 700 series		PUMA 800 series			
				2-axis / M	Y	2-axis / M	Y	2-axis / M	Y	Big bore(B/LB)	
1	Chuck	None		●	●	●	●	●	●	●	
2		18 inch		○	○	X	X	X	X	X	
3		21 inch		○	○	X	X	X	X	X	
4		24 inch		X	X	○	○	X	X	X	
5		32 inch		X	X	X	X	△	△	X	
6	Jaw	Soft Jaws		○	○	○	○	△	△	△	
7		Hardened & ground hard jaws		○	○	○	○	△	△	△	
8	Chucking option	Single pressure chucking		●	●	●	●	●	●	●	
9		Dual pressure chucking		○	○	○	○	○	○	○	
10		Chuck clamp confirmation		○	○	○	○	○	○	○	
11	Steady rest*	Manual	Ø35 ~ Ø330 mm (Ø1.4 ~ Ø13.0 inch)	○	○	○	○	○	○	○	
12			Ø300 ~ Ø450 mm (Ø11.8 ~ Ø17.7 inch)	○	○	○	○	○	○	○	
13		Hydraulic or Prammable	Ø35 ~ Ø245 mm (SLU-4) (Ø1.4 ~ Ø9.6 inch)	○	○	○	○	○	○	○	
14			Ø45 ~ Ø310 mm (SLU-5) (Ø1.8 ~ Ø12.2 inch)	○	○	○	○	○	○	○	
15			Ø85 ~ Ø350 mm (SLU-5.1) (Ø3.3 ~ Ø13.8 inch)	○	○	○	○	○	○	○	
16			Ø80 ~ Ø390 mm (K 5) (Ø3.1 ~ Ø15.4 inch)	△	△	△	△	△	△	△	
17		Ø100 ~ Ø410 mm (K 5.1) (Ø3.9 ~ Ø16.1 inch)	△	△	△	△	△	△	△		
18	Type	Single		○	○	○	○	○	○	○	
19		Twin		○	○	○	○	○	○	○	
20		Double		○	○	○	○	○	○	○	
21	Tailstock	Programmable type		●	●	●	●	●	●	●	
22		Live center		●	●	●	●	●	●	●	
23		Built-in dead center		○	○	○	○	○	○	○	
24	Coolant pump (60/50Hz)	4.5/3.0 bar		●	●	●	●	●	●	●	
25		7/5, 10/7, 14.5/10, 28/19.5, 70/70 bar		○	○	○	○	○	○	○	
26	Coolant options	Oil skimmer		○	○	○	○	○	○	○	
27		Coolant chiller		○	○	○	○	○	○	○	
28		Coolant pressure switch		○	○	○	○	○	○	○	
29		Coolant level switch		○	○	○	○	○	○	○	
30		Coolant gun		○	○	○	○	○	○	○	
31	Chip disposal	Chip conveyor (Right side)		○	○	○	○	○	○	○	
32		Chip bucket		○	○	○	○	○	○	○	
33		Air blower for chuck		○	○	○	○	○	○	○	
34		Mist collector interface (Duct only)		○	○	○	○	○	○	○	
35		Integrated mist collector		○	○	○	○	○	○	○	
36	Measurement & Automation	Tool setter	Manual	○	○	○	○	○	○	○	
37			Automatic	○	○	○	○	X	X	X	
38		Auto door		○	○	○	○	○	○	○	
39	Others	Doosan Tool load monitoring system		○	○	○	○	○	○	○	
40		Signal tower		○	○	○	○	○	○	○	
41		Air gun		○	○	○	○	○	○	○	
42		Automatic power off		○	○	○	○	○	○	○	
43		Air unit for air chuck	Single		X	X	X	X	○	X	○
44			Twin		X	X	X	X	○	X	○

Peripheral equipments

Long boring bar option



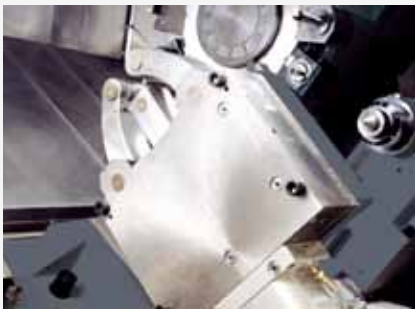
The long boring bar option allows you to easily machine deep holes to minimize cycle time. Please consult with Doosan specialist for details.

Twin chucking option

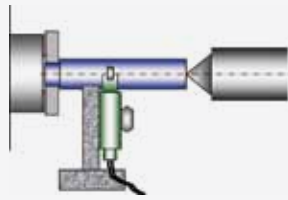


For more stable pipe threading process, twin chucking option (manual or pneumatic) is available. Please consult with Doosan specialist for details.

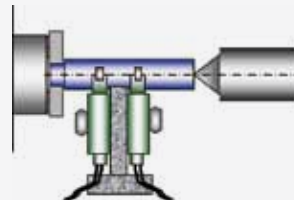
Steady rest option



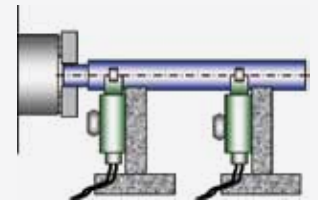
SINGLE



DOUBLE



TWIN



For turning a part with extensive length, various types of hydraulic steady rests (Single, Double or Twin type) are available.

Chip conveyor (Right side) option



Hinged belt



Magnetic scraper



Coolant tank



Standard bed: 470L
L: 570L (LY: 600L)
XL: 770L

Doosan's ergonomic roller coolant tank design, allows users to easily replace and refill coolant. Roller on the coolant tank allows users to simply take out and put it back in the machine like a drawer unit.

Chip conveyor type	Material	Description
Hinged belt	Steel	Hinged belt chip conveyor, which is most commonly used for steel work (for cleaning chips longer than 30mm), is available as an option.
Magnetic scraper	Cast Iron	Magnetic scraper type chip conveyor, which is ideal for die-casting work (for cleaning small chips), is available as an option.



FANUC 32i

Fanuc CNC is tuned ideally to PUMA 600/700/800 series, in order to maximize productivity.

User-friendly operation panel

The newly designed operation panel groups all of the common buttons together to enhance operator's convenience. Also, 'QWERTY' keypad is applied as standard to improve convenience of users who are accustomed to PC keyboards.



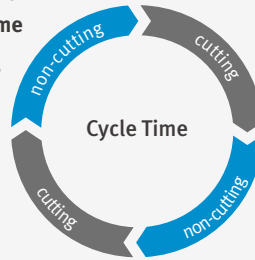
10.4" Display

- USB & PCMCIA card (Std.)
- Qwerty type keyboard
- Easy to put button switch for attached option
- Ergonomic new design

Easy Operation Package

Increase Productivity

Reduced non-cutting time by **10%**



Minimizes non-cutting time to further improve productivity.

Operation rate



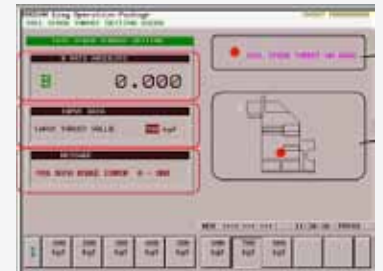
Function allows users to easily keep track of machine operating hours and the number of completed parts.

Tool load monitoring option



This function detects overload on tools, caused by wear and damage, and triggers an alarm to minimize damage.

Tail stock thrust force setting option



This function allows users to easily setup tailstock thrust force on the screen.

Stable threading performance

All PUMA 600/700/800 series (2-Axis* to Y-Axis) are capable of threading work.

*In order to re-machine threads or perform arbitrary speed threading on a 2-Axis machine, additional optional devices have to be selected.

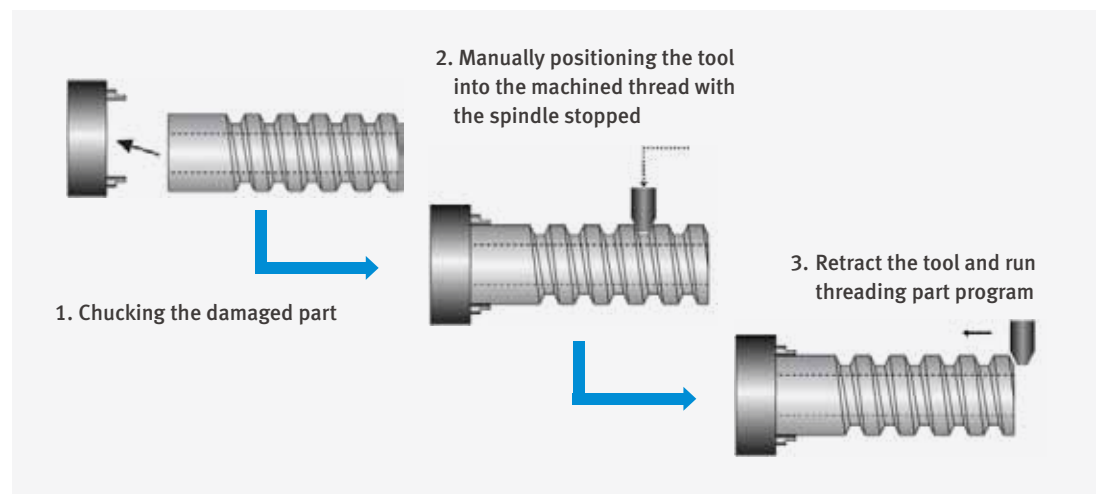
Threading repair function

This function allows users to repair thread even when original program is not available and this is a standard Fanuc NC function.



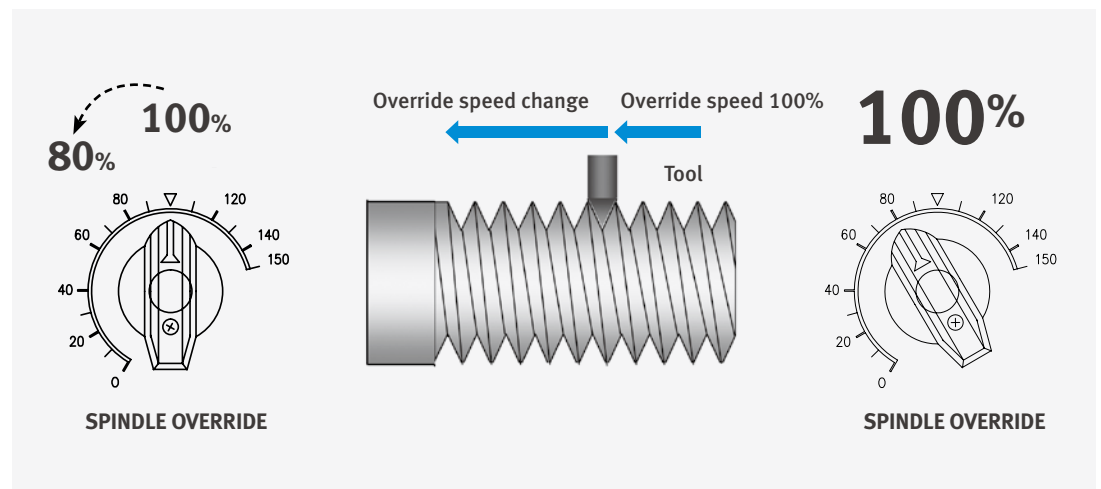
Re-machining function option

This function allows users to re-machine damaged threads by using the existing program.



Arbitrary speed threading option

This function allows users to control spindle speed in order to set it at an ideal machining condition to keep the best thread quality.



Power-Torque diagram

Basic Information

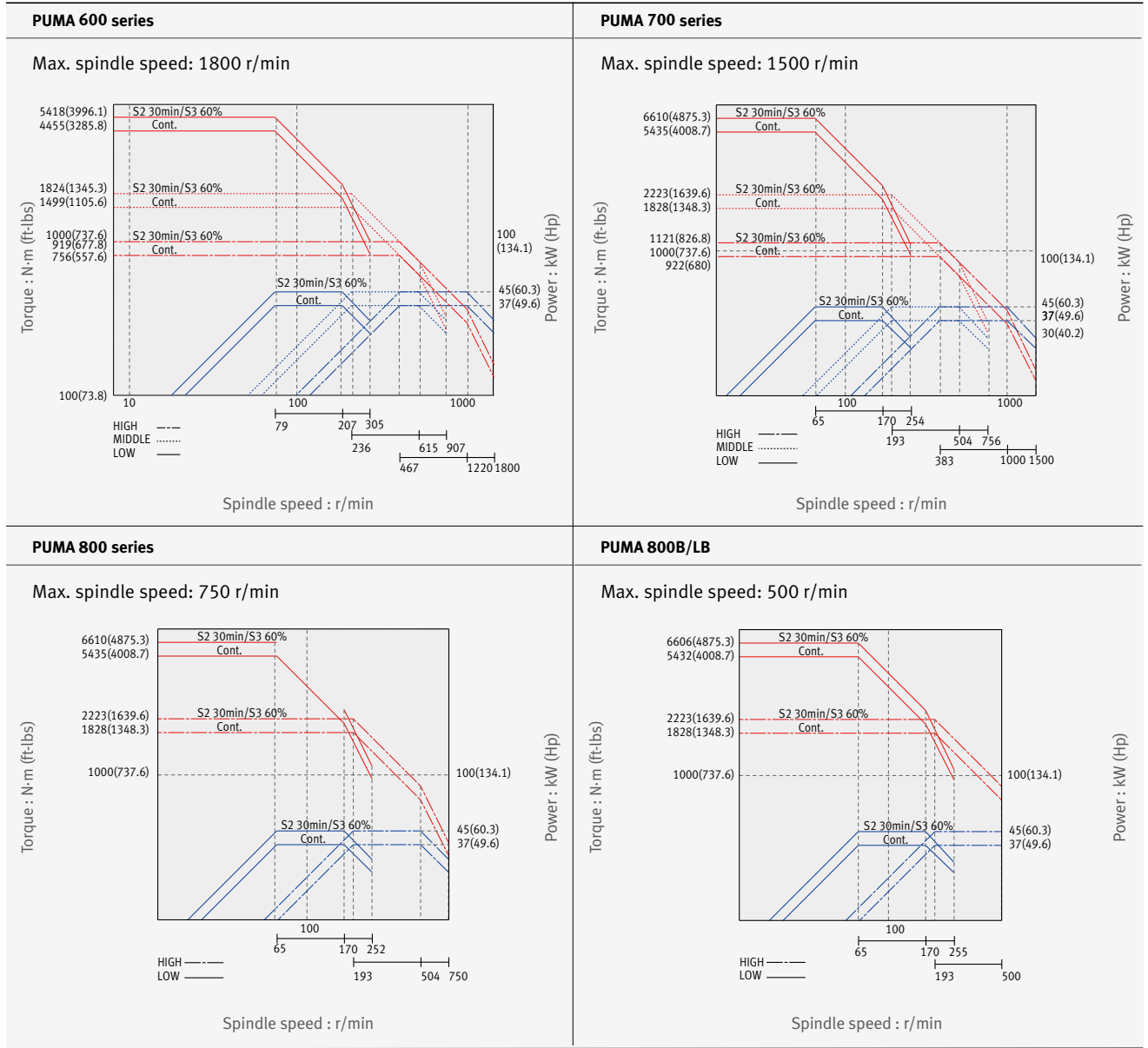
Basic Structure
Cutting
Performance

Detailed Information

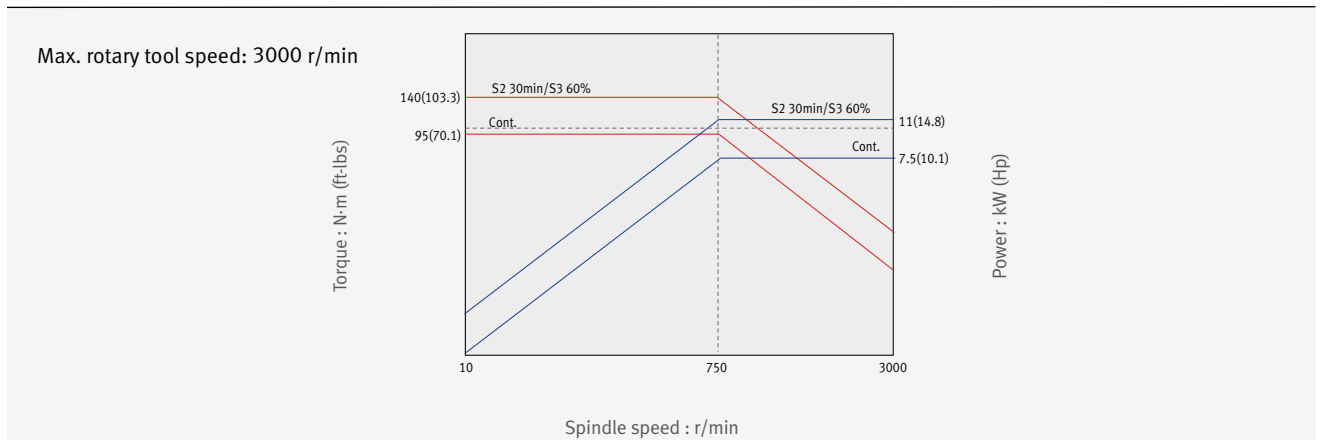
Options
Applications
Capacity Diagram
Specifications

Customer Support Service

Spindle



Rotary tool

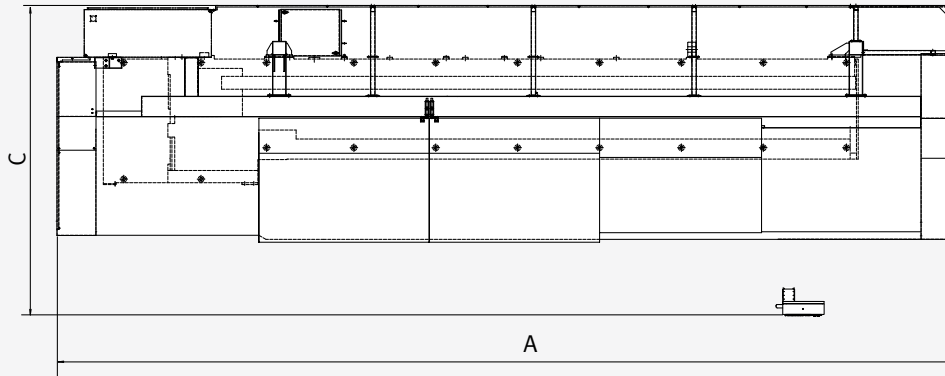


External dimensions

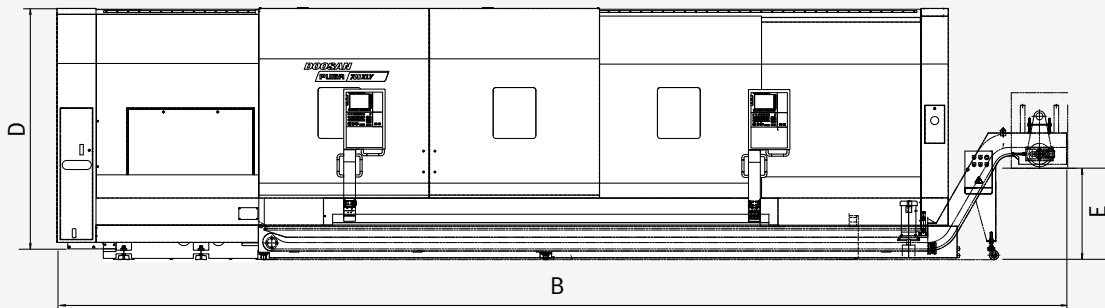
PUMA 600/700/800 series

Unit : mm (inch)

Top view



Front view



Unit : mm (inch)

Model	A (Length)	B* (Length with chip conveyor)	C (Width)	D (Height)	E
PUMA 600/700/800 [M]	5760 (226.8)	6911 (272.1)	3145 (123.8)	2780 (109.4)	1020 (40.2)
PUMA 600L/700L/800L [M]	7360 (289.8)	8510 (355.0)	2770 (109.1)	2590 (102.0)	1020 (40.2)
PUMA 600LY/700LY/800LY	7430 (292.5)	8592 (338.3)	3090 (121.7)	2770 (109.1)	1005 (39.6)
PUMA 600XL/700XL/800XL [M]	9860 (388.2)	11010 (433.5)	3090 (121.7)	2770 (109.1)	1020 (40.2)
PUMA600XLY/700XLY/800XLY	9898 (389.7)	11112 (437.5)	3090 (121.7)	2770 (109.1)	1005 (39.6)
PUMA 800B	5760 (526.8)	6911 (272.1)	3145 (123.8)	2780 (109.4)	1020 (40.2)
PUMA 800LB	7360 (289.8)	8510 (355.0)	2770 (109.1)	2590 (102.0)	1020 (40.2)

* 500mm of a space is required to the right of the machine in order to install and remove chip conveyor.

Tooling system

Basic Information

Basic Structure
Cutting
Performance

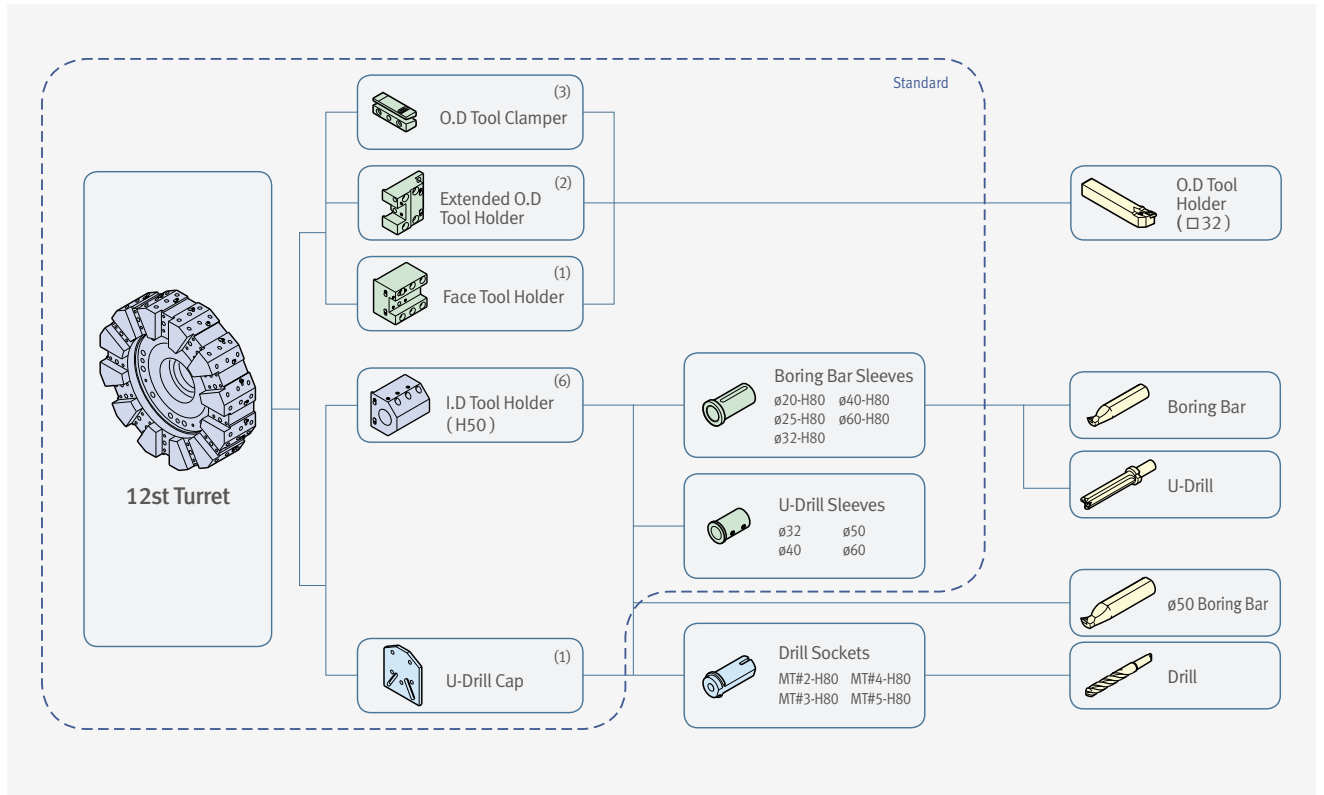
Detailed Information

Options
Applications
Capacity Diagram
Specifications

Customer Support Service

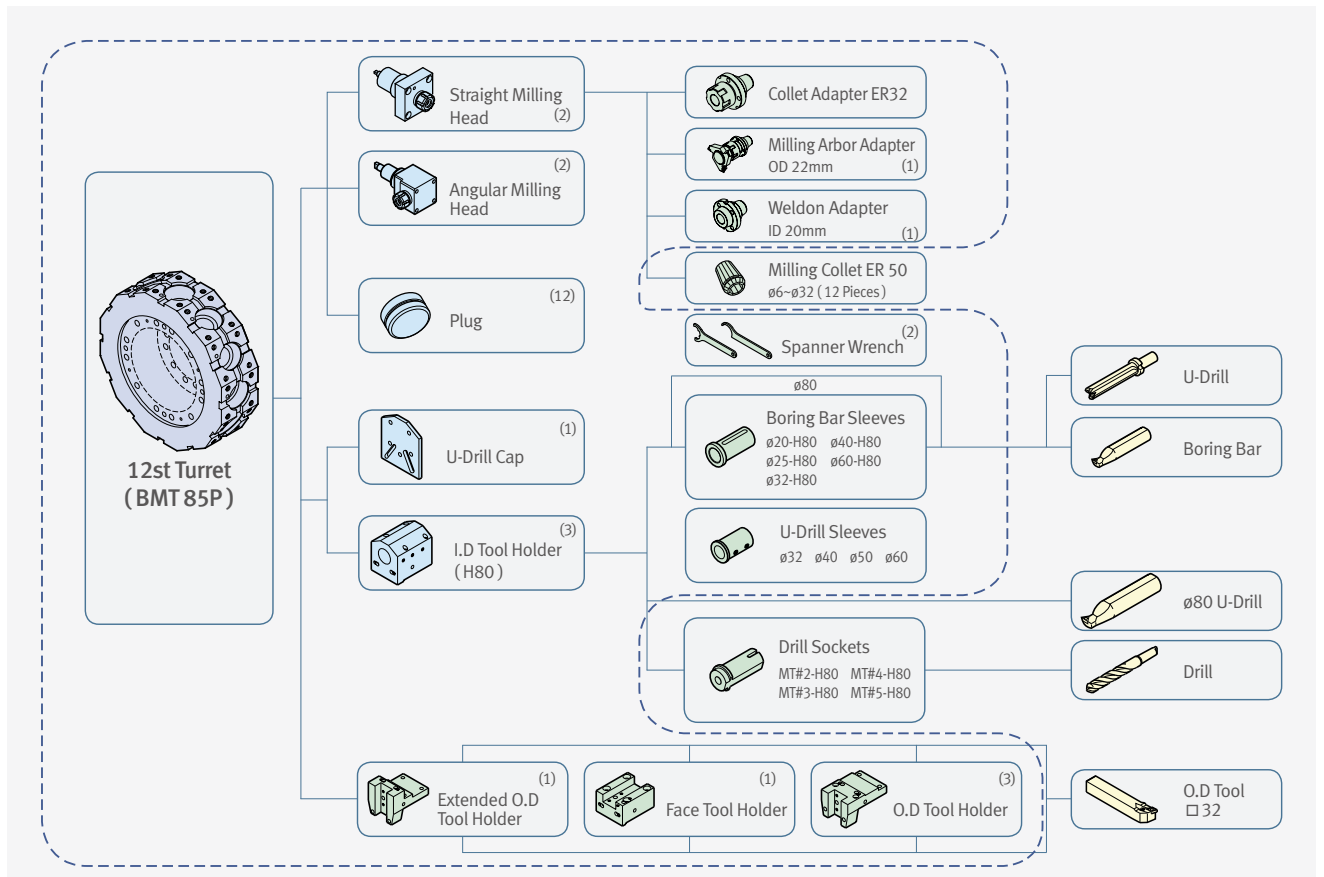
PUMA 600/700/800 [L/XL], PUMA 800B/LB

Unit : mm (inch)



PUMA 600M/700M/800M [LM/LY/XLM/XLY]

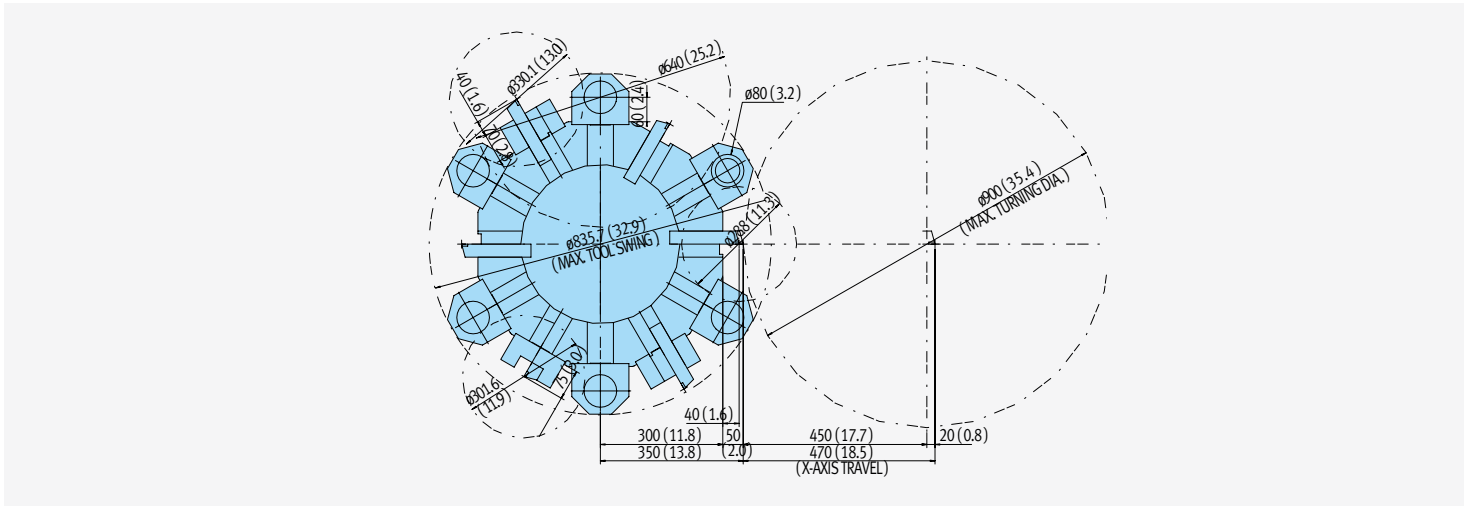
Unit : mm (inch)



Tool interference diagram

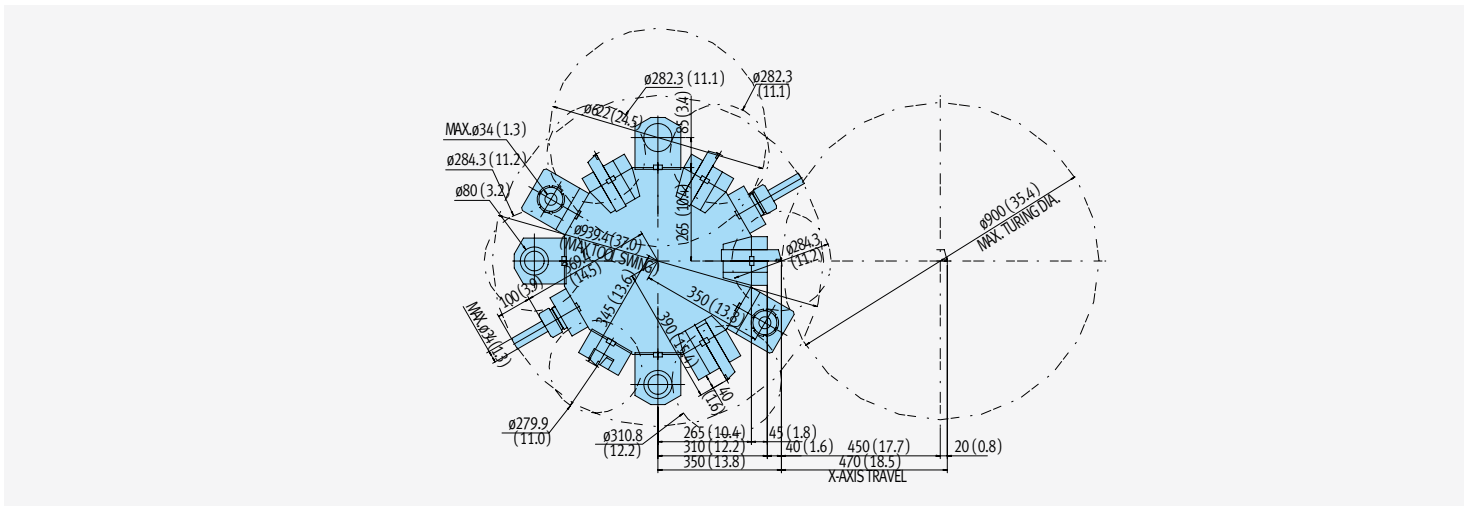
PUMA 600/700/800 [L/XL], PUMA 800B/LB

Unit : mm (inch)



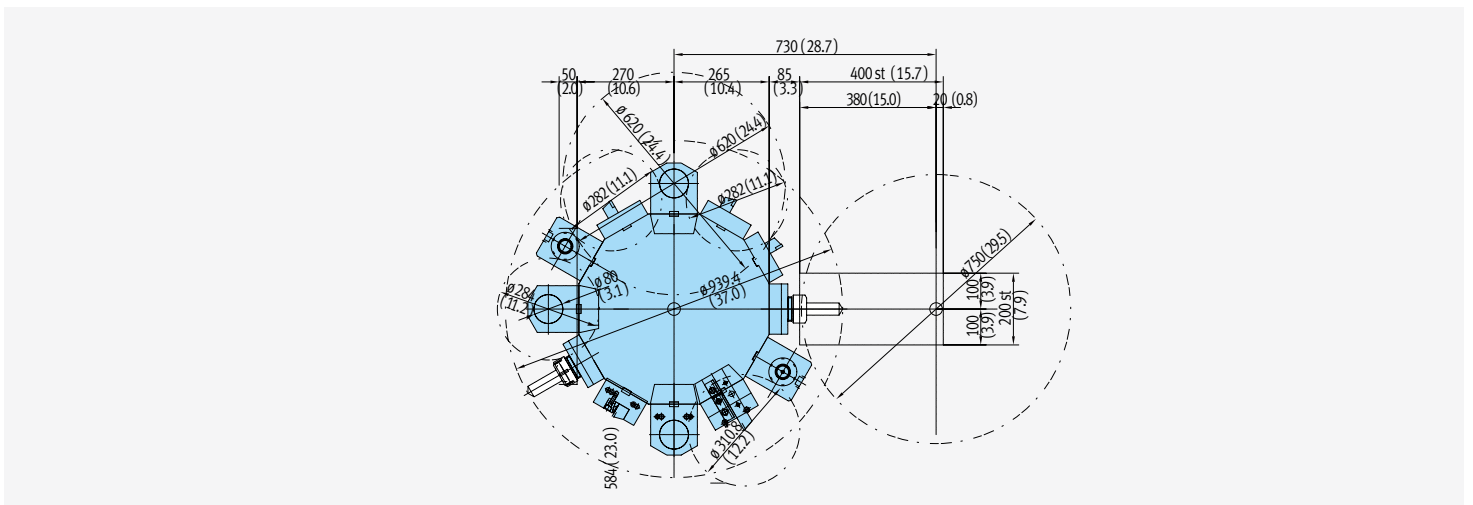
PUMA 600M/700M/800M [LM/XLM]

Unit : mm (inch)



PUMA 600LY/700LY/800LY [XL]

Unit : mm (inch)



Description

Basic Information

PUMA 600/700/800 [L/XL], PUMA 800B [LB]

Unit : mm (inch)

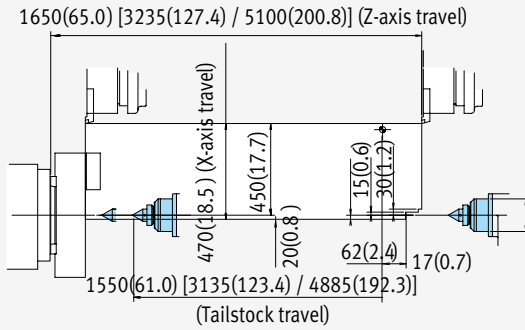
- Basic Structure
- Cutting
- Performance

Detailed Information

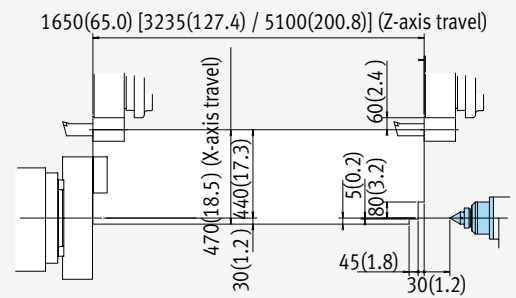
- Options
- Applications
- Capacity Diagram
- Specifications

Customer Support Service

OD Tool Holder



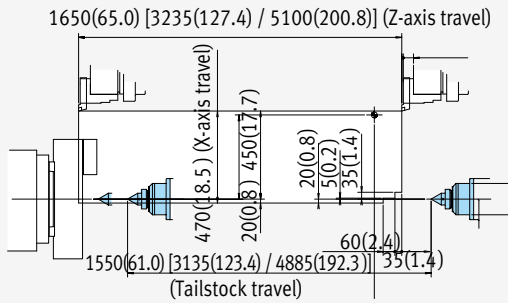
ID Tool holder



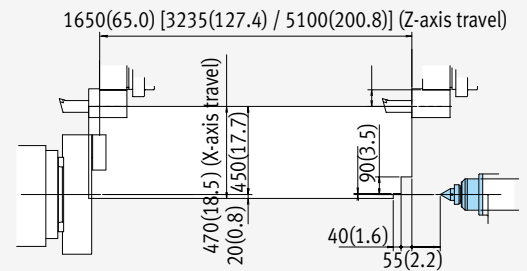
PUMA 600M/700M/800M [LM/XLM]

Unit : mm (inch)

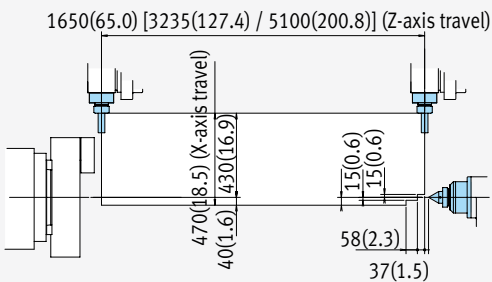
OD Tool Holder



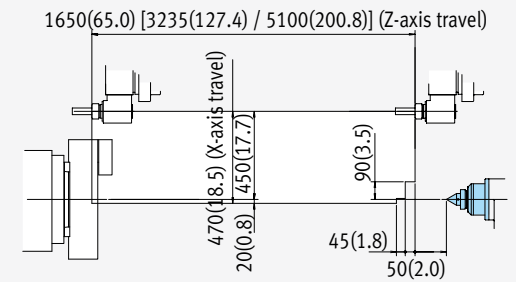
ID Tool Holder



Straight Milling Unit



Angular Milling Unit



Machine specifications

Basic Information

Basic Structure
Cutting
Performance

Detailed Information

Options
Applications
Capacity Diagram
Specifications

Customer Support Service



Description		Unit	PUMA 600[L/XL]	PUMA 600M[LM/XLM]	PUMA 600LY[XLY]
Capacity	Swing over bed	mm(inch)	1030(40.6) [1030(40.6)/1140(44.9)]		1140(44.9)
	Swing over saddle	mm(inch)	800(31.5) [800(31.5)/1000(39.4)]		1000(39.4)
	Recom. turning diameter	mm(inch)	600(23.6)		700(27.6)
	Max. turning diameter	mm(inch)	900(35.4)		750(29.5)
	Max. turning length	mm(inch)	1600(63) [3200(126)/5050(199)]		3250(128) [5050(199)]
	Chuck size	inch	18		
	Bar working diameter	mm(inch)	117(4.6)		
Travels	Travel distance	X-axis	mm(inch)	470(18.5)	
		Y-axis	mm(inch)	-	
		Z-axis	mm(inch)	1650(65) [3235(127)/5100(201)]	
Feedrates	Rapid traverse rate	X-axis	m/min(ipm)	12(472.4)	
		Y-axis	m/min(ipm)	-	
		Z-axis	m/min(ipm)	16(630.0) [10(393.7)/10(393.7)]	
Main Spindle	Max. spindle speed	r/min	1800		
	Main spindle motor power (30min./Cont.)	kW(hp)	45/37(60.3/49.6) {75/60(100.1/80.5)}		
	Max. spindle torque	N-m(lbf-ft)	5419(3996.8) {9025(6656.5)}		
	Spindle nose	ASA	A2-15		
	Spindle bearing diameter (Front)	mm(inch)	200(7.9)		
	Spindle through hole diameter	mm(inch)	152(6.0)		
	Min. spindle indexing angle (C-axis)	deg	-	0.001	
Turret	No. of tool stations	ea	12		
	OD tool size	mm(inch)	32 x 32 (1.3 x 1.3)		
	Max. boring bar size	mm(inch)	80 (3.1)		
	Turret indexing time (1 station swivel)	s	0.25		
	Max. rotary tool speed	r/min	-	3000	
	Rotary tool motor power (30min)	kW(hp)	-	11(14.8)	
Tailstock	Tailstock travel	mm(inch)	1550(61) [3135(123)/4885(192)]		
	Quill diameter	mm(inch)	160(6.3) [160(6.3)/180(7.1)]		
	Quill travel	mm(inch)	150(5.9) [150(5.9)/200(7.9)]		
	Quill bore taper	MT	#6 {#6(Dead)}		
Power Source	Electric power supply (rated capacity)	kVA	64.44	68.60	78
Machine Dimensions	Length	mm(inch)	5760(226.8) [7360(289.8)/9860(388.2)]		
	Width	mm(inch)	3145(123.8) [2770(109.1)/3090(121.7)]		
	Height	mm(inch)	2780(109.4) [2590(102.0)/2770(109.1)]		
	Weight	kg(lb)	16300(35953) [21800(48060)/ 25600(56438)]	16500(36376) [22000(48502)/ 25800(56879)]	23000(50706) [26000(57320)]
Control	NC system	-			

PUMA 700[L/XL]	PUMA 700M[LM/XLM]	PUMA 700LY[XLY]	PUMA 800[L/XL]	PUMA 800M[LM/XLM]	PUMA 800LY[XLY]	PUMA 800B[LB]
1030(40.6) [1030(40.6)/1140(44.9)]		1140(44.9)	1030(40.6) [1030(40.6)/1140(44.9)]		1140(44.9)	1030(40.6)
800(31.5) [800(31.5)/1000(39.4)]		1000(39.4)	800(31.5) [800(31.5)/1000(39.4)]		1000(39.4)	800(31.5)
700(27.6)			800(31.5)		700(27.6)	800(31.5)
900(35.4)		750(29.5)	900(35.4)		750(29.5)	900(35.4)
1600(63) [3200(126)/5050(199)]		3250(128) [5050(199)]	1600(63) [3200(126)/5050(199)]		3250(128) [5050(199)]	1600(63) [3200(126)]
24			32			Order made
164(6.5)			Depending on chuck spec.			
470(18.5)		400(15.7)	470(18.5)		400(15.7)	470(18.5)
-		200 (7.9)	-		200 (7.9)	-
1650(65) [3235(127)/5100(201)]		3300(130) [5100(201)]	1650(65) [3235(127)/5100(201)]		3300(130) [5100(201)]	1650(65) [3235(127)]
12(472.4)			12(472.4)			
-		6(236.2)	-		6(236.2)	-
16(630.0) [10(393.7)/10(393.7)]		10(393.7)	16(630.0) [10(393.7)/10(393.7)]		10(393.7)	16(630.0) [10(393.7)]
1500			750			500
45/37(60.3/49.6) {75/60(100.1/80.5)}			45/37(60.3/49.6) {75/60(100.1/80.5)}			
6605(4871.6) {11004(8116.1)}			6605(4871.6) {11004(8116.1)}			
A1-15			A1-20			ISO 702-4 N0.20
240(9.4)			400(15.7)			440(17.3)
181(7.1)			320(12.6)			375(14.8)
-		0.001	-		0.001 {1}	-
12			12			
32 x 32 (1.3 x 1.3)			32 x 32 (1.3 x 1.3)			
80 (3.1)			80 (3.1)			
0.25			0.25			
-		3000	-		3000	-
-		11(14.8)	-		11(14.8)	-
1550(61) [3135(123)/4885(192)]		3085(121) [4885(192)]	1550(61) [3135(123)/4885(192)]		3085(121) [4885(192)]	1550(61) [3135(123)]
160(6.3) [160(6.3)/180(7.1)]		180(7.1)	160(6.3) [160(6.3)/180(7.1)]		180(7.1)	160(6.3)
150(5.9) [150(5.9)/200(7.9)]		200(7.9)	200(7.9)			150(5.9)
#6 {#6(Dead)}			#6 {#6(Dead)}			
64.44		68.6	64.44		68.6	64.44
5760(226.8) [7360(289.8)/9860(388.2)]		7430(292.5) [9898(389.7)]	5760(226.8) [7360(289.8)/9860(388.2)]		7430(292.5) [9898(389.7)]	5760(226.8) [7360(289.8)]
3145(123.8) [2770(109.1)/3090(121.7)]		3090(121.7)	3145(123.8) [2770(109.1)/3090(121.7)]		3090(121.7)	3145(123.8) [2770(109.1)]
2780(109.4) [2590(102.0)/2770(109.1)]		2770(109.1)	2780(109.4) [2590(102.0)/2770(109.1)]		2770(109.1)	2780(109.4) [2590(102.0)]
16300(35953) [21800(48060)/25800(56879)]		16500(36376) [21800(48060)/26000(57320)]	16300(35953) [21800(48060)/25800(56879)]		16500(36376) [22000(48502)/26000(57320)]	16300(35953) [21800(48060)]

FANUC 32i

* { } : Option

NC unit specifications

● Standard ○ Option X N/A

Basic Information

Basic Structure
Cutting
Performance

Detailed Information

Options
Applications
Capacity Diagram
Specifications

Customer Support Service

FANUC 32i

Description		2-axis	M	Y
1	Controlled axes	2(X,Z)	3(X,Z,C)	4(X,Z,C,Y)
2	Simultaneously controlled axes	2 axes	3 axes	4 axes
3	Cs contouring control	X	●	●
4	Torque control	●	●	●
5	HRV2 control	●	●	●
6	Inch/metric conversion	●	●	●
7	Stored stroke check 1	●	●	●
8	Stored stroke check 2,3	○	○	○
9	Stored limit check before move	○	○	○
10	Chamfering on/off	●	●	●
11	Unexpected disturbance torque detection function	●	●	●
12	Position switch	●	●	●
13	DNC operation	Included in RS232C interface	●	●
14	DNC operation with memory card		●	●
15	Tool retract and recover		○	○
16	Wrong operation prevention		●	●
17	Dry run		●	●
18	Single block		●	●
19	Reference position shift		●	●
20	Handle interruption		○	○
21	Incremental feed	x1,x10,x100	●	●
22	Manual handle retrace		○	○
23	Active block cancel		○	○
24	Nano interpolation		●	●
25	Linear interpolation		●	●
26	Circular interpolation		●	●
27	Polar coordinate interpolation		X	●
28	Cylindrical interpolation		X	●
29	Helical interpolation		X	○
30	Thread cutting, synchronous cutting		●	●
31	Multi threading		●	●
32	Thread cutting retract		●	●
33	Continuous threading		●	●
34	Variable lead thread cutting		●	●
35	Circular thread cutting		○	○
36	Polygon machining with two spindles		X	○
37	High-speed skip	Input signal is 8 points.	○	○
38	2nd reference position return	G30	●	●
39	3rd/4th reference position return		○	○
40	Override cancel		●	●
41	AI contour control I		○	○
42	AI contour control II		○	○
43	Rapid traverse block overlap		●	●

Description			2-axis	M	Y	
44	Program input	Optional block skip	9 pieces	●	●	●
45		Absolute/incremental programming	Combined use in the same block	●	●	●
46		Diameter/Radius programming		●	●	●
47		Automatic coordinate system setting		●	●	●
48		Workpiece coordinate system	G52 - G59	●	●	●
49		Workpiece coordinate system preset		○	○	○
50		Addition of workpiece coordinate system	48 pairs	○	○	○
51		Direct drawing dimension programming		●	●	●
52		G code system	A	●	●	●
53		G code system	B/C	●	●	●
54		Chamfering/Corner R		○	○	○
55		Custom macro		●	●	●
56		Addition of custom macro common variables	#100 - #199, #500 - #999	○	○	○
57		Interruption type custom macro		○	○	○
58		Canned cycle		●	●	●
59		Multiple repetitive cycles	G70-G76	●	●	●
60		Multiple repetitive cycles II	Pocket profile	●	●	●
61		Canned cycle for drilling		●	●	●
62		Automatic corner override		○	○	○
63		Coordinate system shift		●	●	●
64		Direct input of coordinate system shift		●	●	●
65	Pattern data input		○	○	○	
66	Operation Guidance Function	EZ Guidei(Conversational Programming Solution)		●	●	●
67		Easy Operation package		●	●	●
68	Auxiliary/Spindle speed function	Constant surface speed control		●	●	●
69		Spindle override	0 - 150%	●	●	●
70		Spindle orientation		●	●	●
71		Rigid tap		●	●	●
72		Arbitrary speed threading		○	○	○
73	Tool function/Tool compensation	Tool offset pairs	64-pairs	●	●	●
74			99-pairs	○	○	○
75			200-pairs	○	○	○
76			400-pairs	○	○	○
77			499-pairs	○	○	○
78			999-pairs	○	○	○
79		Tool offset		●	●	●
80		Y-axis offset		X	X	●
81		Tool radius/Tool nose radius compensation		●	●	●
82		Tool geometry/wear compensation		●	●	●
83	Automatic tool offset		●	●	●	
84	Direct input of offset value measured B		●	●	●	
85	Tool life management		●	●	●	
86	Accuracy compensation function	Backlash compensation for each rapid traverse and cutting feed		●	●	●
87	Editing operation	Part program storage size & Number of registerable programs	640M(256KB)_500 programs	●	●	●
88			1280M(512KB)_1000 programs	○	○	○
89			2560M(1MB)_1000 programs	○	○	○
90			5120M(2MB)_1000 programs	○	○	○
91	Program protect		●	●	●	
92	Password function		●	●	●	
93	Playback		○	○	○	
94	Data input/output	Fast data server		○	○	○
95		External data input		○	○	○
96		Memory card input/output		●	●	●
97		USB memory input/output		●	●	●
98		Automatic data backup		●	●	●
99	Interface function	Embedded Ethernet		●	●	●
100		Fast Ethernet		○	○	○
101	Others	Display unit	10.4" color LCD	●	●	●
102		Robot interface	with PMC I/O module	○	○	○
103		Robot interface	with PROFIBUS-DP	○	○	○

Product Overview

Basic Information

Basic Structure
Cutting
Performance

Detailed
Information

Options
Applications
Capacity Diagram
Specifications

Customer Support
Service

Responding to Customers Anytime, Anywhere



Global Service Support Network

Corporations

5

Dealer Networks

122

Technical Centers

18

Factories

3

Technical Center: Sales Support, Service Support, Parts Support

Doosan Machine Tools' Global Network, Responding to Customer's Needs nearby, Anytime, Anywhere

Doosan machine tools provides a system-based professional support service before and after the machine tool sale by responding quickly and efficiently to customers' demands.

By supplying spare parts, product training, field service and technical support, we can provide top class support to our customers around the world.



Customer Support Service

We help customers to achieve success by providing a variety of professional services from pre-sales consultancy to post-sales support.

Supplying Parts



- Supplying a wide range of original Doosan spare parts
- Parts repair service

Field Services



- On site service
- Machine installation and testing
- Scheduled preventive maintenance
- Machine repair

Technical Support



- Supports machining methods and technology
- Responds to technical queries
- Provides technical consultancy

Training



- Programming / machine setup and operation
- Electrical and mechanical maintenance
- Applications engineering

Domestic Service Support Network

Integrated Support Centers

2

Sales Branch Offices

7

Post-Sales Service Centers

6

Designated Repair Service Centers

31

Main Specifications

PUMA 600/700/800 series



Description	UNIT	PUMA 600 series [LY/LXY]	PUMA 700 series [LY/LXY]	PUMA 800 series [LY/LXY]	PUMA 800B[LB]
Max. turning diameter	mm(inch)	900 (35.4) [750 (29.5)]			900 (35.4)
Max. turning length (Std./L/XL)	mm(inch)	1600/3200/5050 (63/126/199) [3250/5050 (128/199)]			1600 (63) [3200 (126)]
Chuck size	inch	18	24	32	Order made
Spindle through hole diameter	mm(inch)	152 (6.0)	181 (7.1)	320 (12.6)	375 (14.8)
Max. spindle speed	r/min	1800	1500	750	500
Max. spindle power (30min/Cont.)	kW(hp)	45/37 (60.3/49.6) [75/60 (100.1/80.5)]			
NC system	-	FANUC 32i			



Doosan Machine Tools

<http://www.doosanmachinetools.com>

www.facebook.com/doosanmachinetools

Optimal Solutions for the Future

Head Office

Yeonkang Bldg., 6th FL., 270, Yeonji-dong,
Jongno-gu, Seoul, Korea
Tel +82-2-3670-5345 / 5362
Fax +82-2-3670-5382

Doosan Machine Tools China

Room 101,201,301, Building 39 Xinzhuan Highway
No.258 Songjiang District,China Shanghai(201612)
Tel +86 21-5445-1155
Fax +86 21-6405-1472

Doosan Machine Tools Japan

#2412, Mita Kokusai Bldg. 1-4-28 Mita,
Minato-ku, Tokyo 108-0073, Japan
Tel +81 3 5730 9013
Fax +81 3 5730 9016

Doosan Machine Tools America

19A Chapin Rd., Pine Brook, NJ 07058, U.S.A.
Tel +1-973-618-2500
Fax +1-973-618-2501

Doosan Machine Tools Europe

Emdener Strasse 24, D-41540 Dormagen, Germany
Tel +49-2133-5067-100
Fax +49-2133-5067-001


Doosan Machine Tools India

106 / 10-11-12, Amruthahalli, Byatarayanapura,
Bellary road, Bangalore-560 092, India
Tel +91-80-4266-0122 / 121 / 100



* For more details, please contact Doosan Machine Tools.

* The specifications and information above-mentioned may be changed without prior notice.

* Doosan Machine Tools Co., Ltd. is a subsidiary of MBK Partners, a Korean private equity firm. The trademark  DOOSAN is used under a licensing agreement with Doosan Corporation, the registered trademark holder.